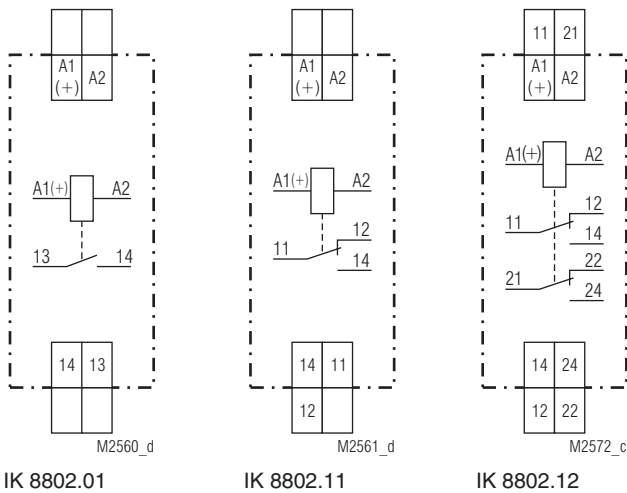


Interface Relay Input-Output Interface Relay IK 8802



- According to IEC/EN 60 255, IEC/EN 61 810-1
- With 1 or 2 changeover contacts as options
- High permanent current I_{th}
- For switching low loads as an option
- LED display (for AC/DC 24 V only)
- Width 17.5 mm

Circuit Diagrams



Approvals and Marking



Function

- link between the control and power levels
- for potential separation

Indicators

LED: on, when supply connected

Technical Data

Input

Nominal voltage U_N:	AC/DC 12 V max. 48 % RW, AC/DC 24 V max. 48 % RW, AC/DC 230 V
Voltage range:	0.8 ... 1.1 U_N
Nominal consumption:	AC 12, 24 V 0.7 VA DC 12, 24 V 0.6 W
Nominal frequency:	50 / 60 Hz
Frequency range:	± 5 %

Output

Contacts

IK 8802.01:	1 NO contact
IK 8802.11:	1 changeover contact
IK 8802.12:	2 changeover contacts
Operate / release time:	< 10 ms / < 10 ms

Thermal current I_{th}

IK 8802.11:	10 A
IK 8802.12:	2 x 5 A

Switching capacity

to AC 15		
NO contact:	3 A / AC 230 V	IEC/EN 60 947-5-1
NC contact:	1 A / AC 230 V	IEC/EN 60 947-5-1
Electrical life		IEC/EN 60 947-5-1

to AC 15 at 3 A, AC 230 V	
1 changeover contact:	2.5 x 10 ⁵ switching cycles
2 changeover contacts:	0.5 x 10 ⁵ switching cycles

Permissible switching frequency:

3 000 switching cycles/h

Short circuit strength max. fuse rating

IK 8802.11:	10 A gL
IK 8802.12:	6 A gL

Mechanical life:

> 50 x 10⁶ switching cycles

Technical Data

General Data

Operating mode:	Continuous operation	
Temperature range:	- 20 ... + 55°C	
Clearance and creepage distances		
rated impuls voltage / pollution degree:		
input/output:	4 kV / 3	IEC 60 664-1
Contacts:	2.5 kV / 2	IEC 60 664-1
	only for 1-phase systems (same phase)	

EMC

Electrostatic discharge:	8 kV (air)	IEC/EN 61 000-4-2
HF-irradiation	10 V/m	IEC/EN 61 000-4-3
Fast transients:	4 kV	IEC/EN 61 000-4-4
Surge voltages between wires for power supply:	1 kV	IEC/EN 61 000-4-5
between wire and ground:	4 kV	IEC/EN 61 000-4-5
HF-wire guided:	10 V	IEC/EN 61 000-4-6
Interference suppression:	Limit value class B	EN 55 011

Degree of protection

Housing:	IP 40	IEC/EN 60 529
Terminals:	IP 20	IEC/EN 60 529

Housing:

Thermoplastic with V0 behaviour according to UL subject 94

Vibration resistance:

Amplitude 0.35 mm frequency 10 ... 55 Hz IEC/EN 60 068-2-6

Climate resistance:

Humid heat IEC/EN 60 068-2-30

Terminal designation:

EN 50 005

Wire connection:

2 x 2.5 mm² solid or 2 x 1.5 mm² stranded ferruled DIN 46 228-1/-2/-3/-4

Wire fixing:

Flat terminals with self-lifting clamping piece IEC/EN 60 999-1

Mounting:

DIN rail IEC/EN 60 715

Weight:

60 g

Dimensions

Width x height x depth: 17.5 x 89 x 58 mm

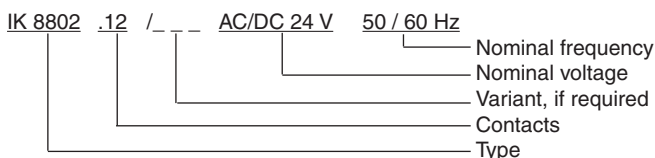
Standard Type

IK 8802.12 AC/DC 24 V 50/60 Hz	
Article number:	0012142 stock item
• Output:	2 changeover contacts
• Nominal voltage U_N :	AC/DC 24 V
• Width:	17.5 mm

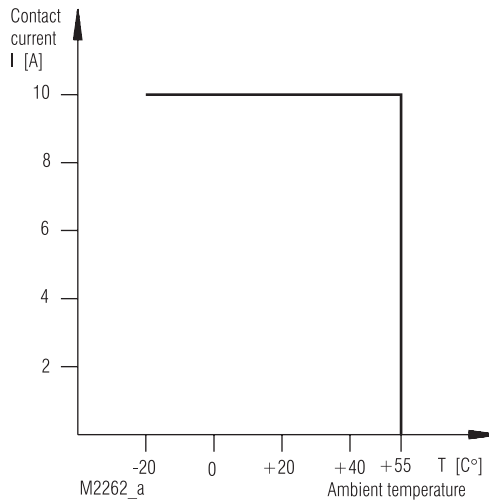
Variants

IK 8802._./005:	for low loads of 0.1 ... 60 V, 1 mA ... 300 mA
IK 8802._./023:	AC/DC 230 V, without an LED

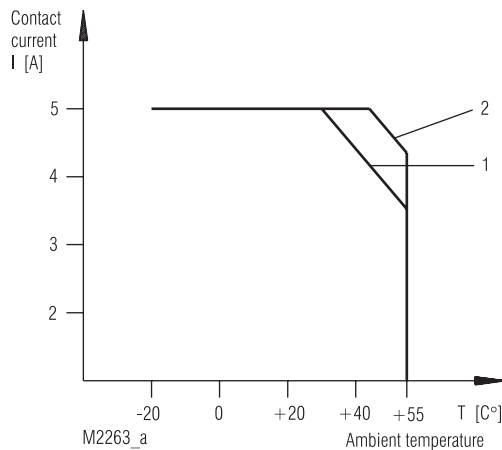
Ordering example for variants



Characteristics

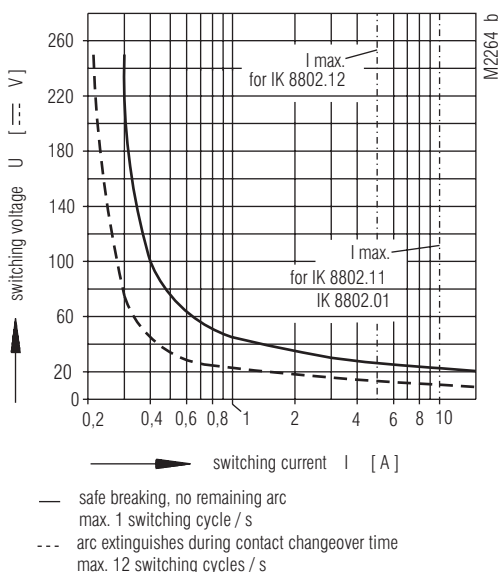


Permissible contact current of IK 8802.01 and IK 8802.11 depends on the ambient temperature.



1. at nominal voltage, mounted without distance, current on both contacts
2. at nominal voltage, mounted without distance, current on only one contact

Permissible contact current of IK 8802.12 depends on the ambient temperature.



Arc limit curve (load limit curve)